

Description

24V electromechanical operator for sectional garage doors installable in residential, industrial and commercial environments.

The sturdy mechanical structure and the microprocessor technology of the control unit allow the intensive use of the operator, whilst guaranteeing maximum reliability over time. In addition, the D-Track torque control system and absolute encoder ensure extremely precise door movement control and obstacle detection.



((ER-Ready)) **D-TRACK**

Exclusive encoder position reset knob for fast, safe installations.



Limit switch based on absolute encoder technology, guaranteeing maximum reliability and stopping precision.



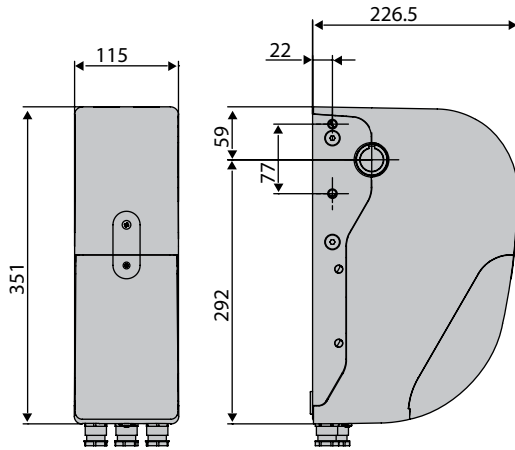
Control unit with on-board programming display and D-Track torque, speed and position management and control system. Incorporated dual channel radio receiver.



Summary table

	Code	Name	Kits	Voltage	Door surface area	Max torque	Legend	Tractive force
	P925202 00001	ARGO		24V	20m ²	55Nm	A	55kg
	P925206 00002	ARGO G		24V	35m ²	80Nm	A	80kg

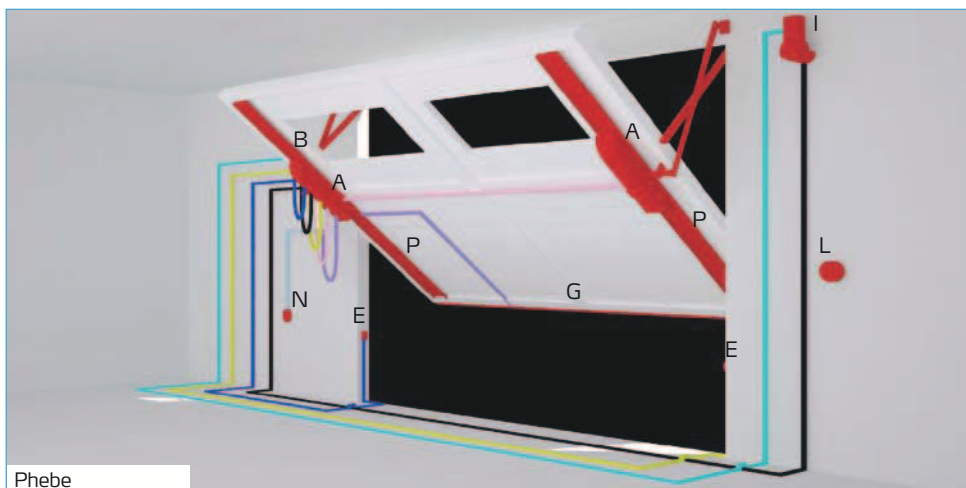
Dimensions



Technical features

	ARGO	ARGO G
Control unit	VENERE D ARGO	VENERE D ARGO G
Power supply	24V	24V
Power input	240W	240W
Output revolutions	30rpm	18rpm
Type of limit switch	Absolute encoder	Absolute encoder
Slowdown	Yes	Yes
Impact reaction	D-Track	D-Track
Locking	Mechanical	Mechanical
Manual cycle	Non reversing	Non reversing
Release	Cord or steel cable	Steel cable
Frequency of use	Very-intensive	Very-intensive
Environmental conditions	from -15°C to 0°C	
Protection rating	IP40	
Actuator weight	10kg	10kg

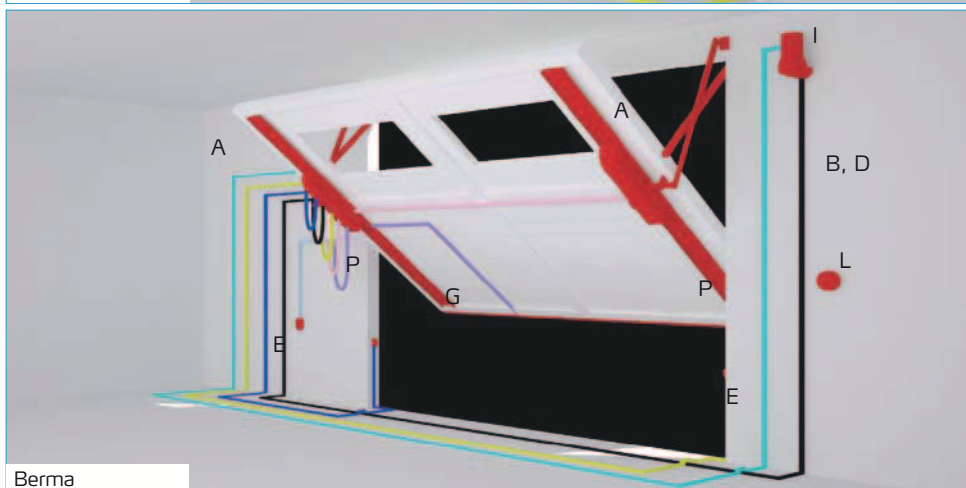
A	Operator
B	Control unit
C	Backup Batteries
D	Receiver
E	Photocell
G	Sensitive edge
H	Post
I	Flashing Beacon
L	Control system (key selector switch, keypad, badge reader)
N	Junction box
P	Fitting system
	2x1.5
	3x1.5
	5x1.5
	RG 58
	3x1
	5x1
	2x1
	9x0.5
	4x2.5



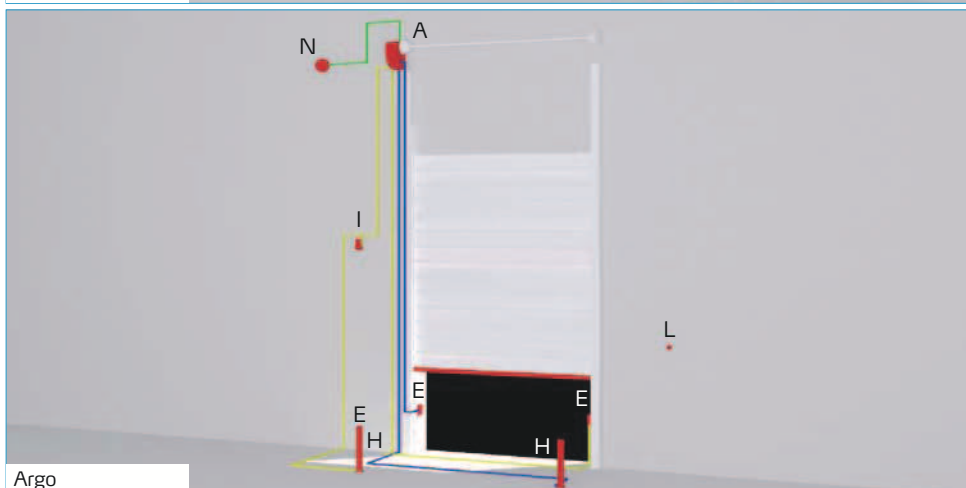
Phebe



Botticelli / Eos120



Berma



Argo

	<p>ALCOR N D113706 00002</p> <p>Control panel for one or two 230V/300W operators for swing gates</p>		<p>RIGEL 5 D113693 00003</p> <p>Universal control panel for one or two 230V operators - 600+600W</p>
	<p>ALPHA SD D113680 00002</p> <p>Universal control panel for a 230V/500W single phase operator</p>		<p>HYDRA N QSG2 D113730 00002</p> <p>HYDRA N control board in panel QSG2</p>
	<p>BT BAT P125005</p> <p>Set of backup batteries for LIBRA C MA, LIBRA C LX, HYDRA N, ARGO</p>		<p>BT BATI P125007</p> <p>Set of backup batteries for HYDRA N QSG2</p>
	<p>B EBA 201 R01 P111468</p> <p>Expansion board for connection of central units with serial controls management</p>		<p>B EBA 201 R02 P111466</p> <p>INPUT/OUTPUT expansion board</p>
	<p>B EBA 201 R03 P111467</p> <p>Expansion board for WIEGAND accessories connection management</p>		<p>B EBA 201 R04 P111469</p> <p>Expansion board for BLUETOOTH connection management</p>
	<p>SPL D113050</p> <p>Pre-heating board with thermostat for 230V hydraulic operators. Not usable with RIGEL 5</p>		<p>SSR5 D111704</p> <p>Board for traffic-light management and pre-heating 230V hydraulic motors for RIGEL5</p>
	<p>SCS 1 P111376</p> <p>Serial board for connection to zone and opposing leaves for control units with display</p>		<p>SCS WIE P111408</p> <p>Board for connection to SELETTO (E) keypad and COMPASS SLIM proximity reader</p>
	<p>KLEIO B RCA02 R1 D111888</p> <p>12V two-channel transmitter 433MHz rolling code. Soft touch treatment</p>		<p>KLEIO B RCA02 R2 D111889</p> <p>12V two-channel transmitter 433MHz, copyable with rolling code. Soft touch treatment</p>
	<p>KLEIO B RCA02 R3 N999519</p> <p>12V two-channel transmitter 433MHz rolling code. Soft touch treatment. Pack of 100 items, numbered for block memorisation</p>		<p>KLEIO B RCA04 R1 D111890</p> <p>12V four-channel transmitter 433MHz rolling code. Soft touch treatment KLEIO</p>
	<p>KLEIO B RCA04 R2 D111891</p> <p>12V four-channel transmitter 433MHz, copyable with rolling code. Soft touch treatment</p>		<p>KLEIO B RCA04 R3 N999520</p> <p>12V four-channel transmitter 433MHz rolling code. Soft touch treatment. Pack of 100 items, numbered for block memorisation</p>


MITTO B RCB02 R1 D111904

12V two-channel transmitter 433MHz rolling code


MITTO B RCB02 R2 D111905

12V two-channel transmitter 433MHz, copyable with rolling code


MITTO B RCB02 R3 N999542

12V two-channel transmitter 433MHz rolling code. Pack of 100 items, numbered for block memorisation


MITTO B RCB04 R1 D111906

12V four-channel transmitter 433MHz rolling code


MITTO B RCB04 R2 D111907

12V four-channel transmitter 433MHz, copyable with rolling code


MITTO B RCB04 R3 N999543

12V four-channel transmitter 433MHz rolling code. Pack of 100 items, numbered for block memorisation


CLIP1 B 00 R03 N999522

Wall mounting clip for KLEIO B RCA and MITTO B RCB remote controls. 30 unit pack


CLIP1 B 00 R03 N999521

T-BOX P121019

Wireless digital keypad 433 MHz Rolling code

L


RB P121016

4-channel wall-mounted radio control with rolling code

L


SEK P121017

External key selector switch with vandal-proof metal frame

L


RADIUS B LTA 230 R1 D113748 00002

Flashing beacon with built-in antenna for 230V motors

I


RADIUS B LTA 230 R2 D113749 00002

Flashing beacon without built-in antenna for 230V motors

I


RADIUS B LTA 24 R1 D113748 00003

Flashing beacon with built-in antenna for 24V motors

I


RADIUS B LTA 24 R2 D113749 00003

Flashing beacon without built-in antenna for 24V motors

I


B 00 R01 P123026

Metal guard for B LTA

I


B 00 R02 P123025

Wall mounting for B LTA series flashing beacons

I